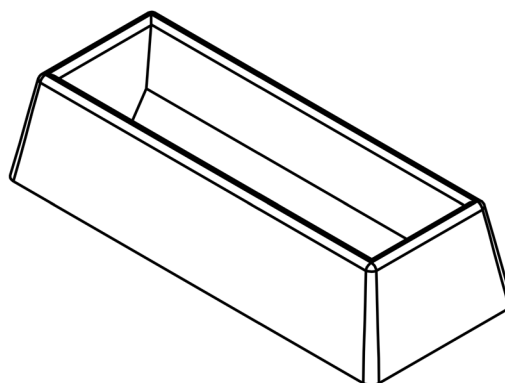
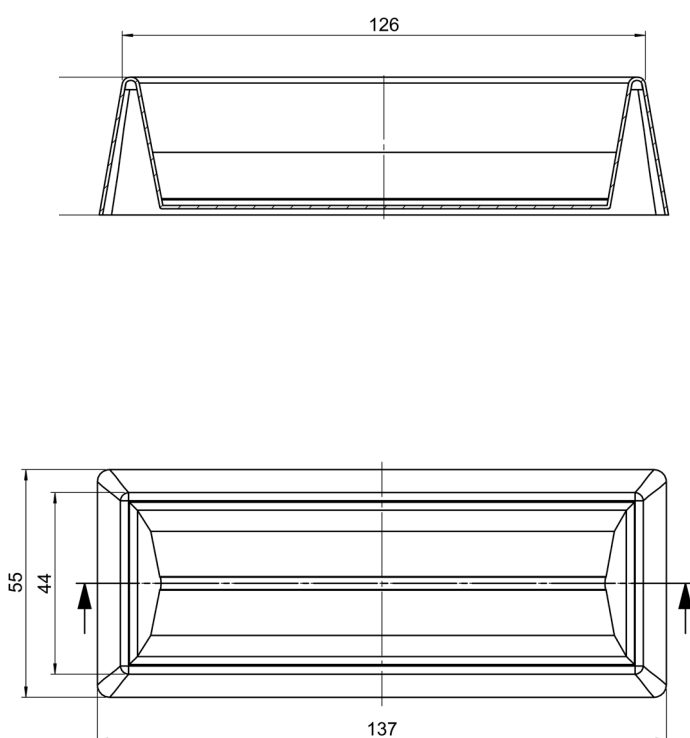


Reagent reservoirs for multichannel micropipette 703409/703411

PRODUCT
INFORMATION

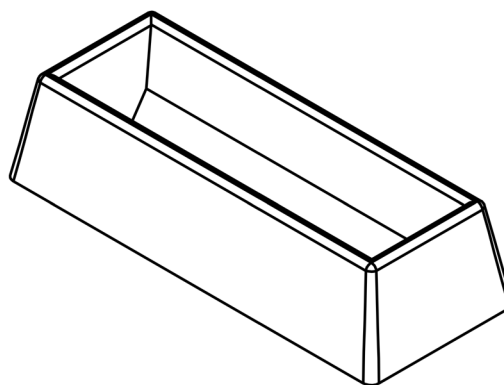
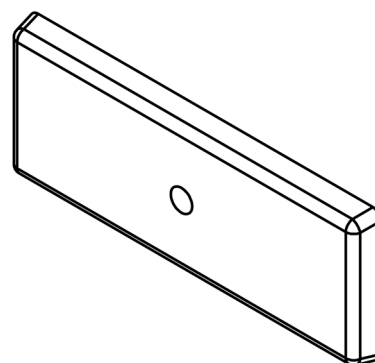
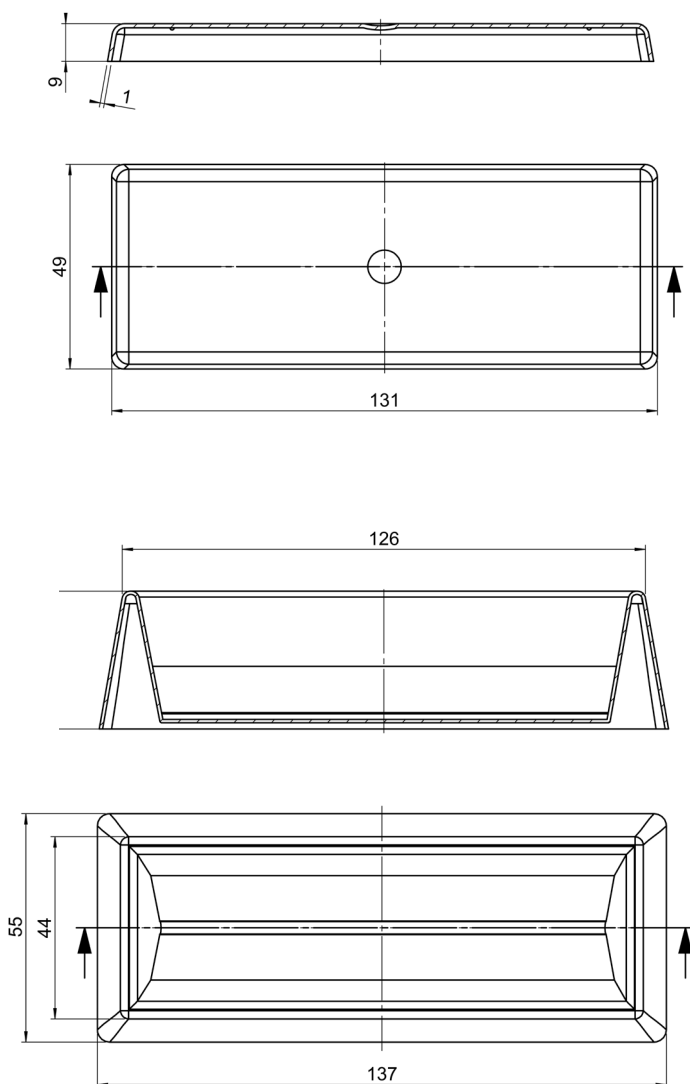


Dimensions in mm

Working volume	60 ml
Bottom style	V-bottom
Material	PP
Color	transparent
Graduation	at 10 ml, 30 ml and 60 ml

Subject to technical modification without notice. Errors excepted.

Reagent reservoirs with cover for multichannel micropipette 703459


 PRODUCT
INFORMATION


Dimensions in mm

Working volume	60 ml
Bottom style	V-bottom
Material	PP
Color	transparent
Graduation	at 10 ml, 30 ml and 60 ml

Subject to technical modification without notice. Errors excepted.